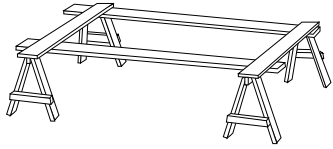




## CONSTRUCTION

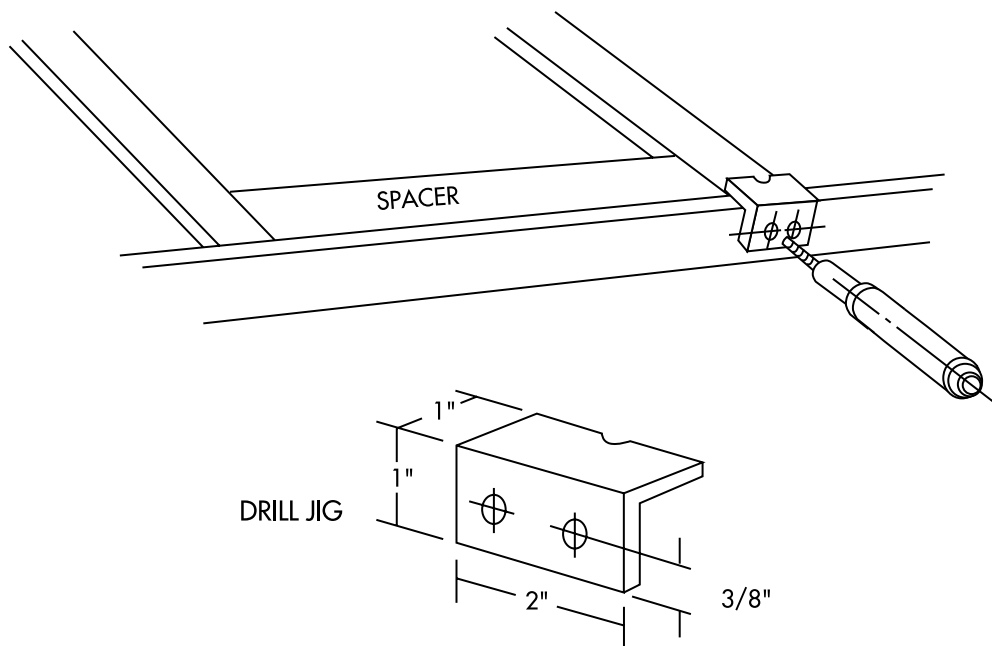
First, select a suitable work area where a bench 3' high x 3' wide x 12' long can be used. A pair of saw-horses and (2) 2" x 6" x 12' straight planks make a good work bench.



In building a 2 - 3 - 4 or 8 lane track, the difference lies in the lengths of the cross frames.

LANES	WIDTH	CROSS FRAMES	PLATING RAILS (BSA #7696)	
			6 Sections	7 Sections
2	8 - 1/4"	6 - 3/4"	12	14
3	12"	10-1/2"	18	21
4	15-3/4"	14-1/4"	24	28
6	23-1/4"	21-3/4"	36	42
8	30-3/4"	29-1/4"	48	56

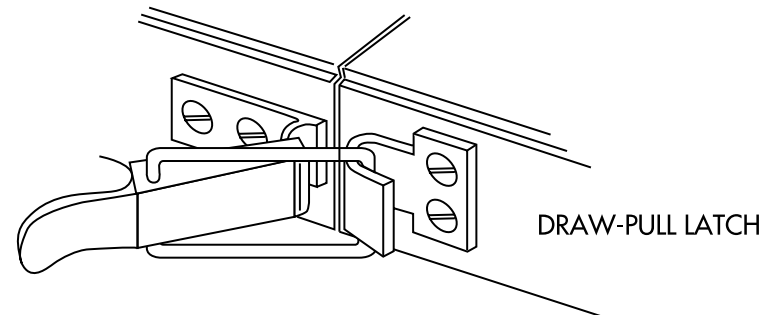
Cut the lumber into the required lengths as shown on drawings, pgs. 3 and 5. Save all short ends that can be used for track supports, etc. Specifications for 2-3-4-6 and 8 lane tracks on plan. Assemble the Starting Frame first (see Track Frames, page 3). Make a drill jig like the one below for marking the screw hole locations. Pre-drill and countersink all holes. Use the 2" #8 screws for all cross frames and ends.



Continue to assemble the second frame which is the curved section on page 3. Make sure you fasten the area marked "Floor" so it will rest on the floor. After the seven frames are assembled, complete construction of the Starting Line Tower, Track Legs, Finish Line Tower and the Finish Line Section. Now would be a good time to paint or seal all the wood parts. After the paint or sealer is dry, prepare to install the draw-pull latches.

Set the Starting Section marked #1, and the curved section marked #2 on the work bench. Insert the 1/8" aluminum tongue in place. Then clamp the ends together. Make sure the top of the end frames are even. If not, make the necessary adjustments. Now fasten the draw-pull clamps onto the Side Frames. After that is done, remove Section #1 and put Section #2 on the bench. Use the same procedure to fasten the draw-pulls between Sections #2 and #3. Do the same for Sections #3 and #4, #4 and #5, #5 and #6, and #6 and #7.

This plan is designed to use special lightweight aluminum plating rails (BSA #7696) as a decking/racing surface. If you use any other material to deck your track, you may have to reinforce the framing (and add more weight). To order your plating and installation instructions call: 1-800-323-0732. Use the chart on the left to determine how many rails you'll need. For additional help or information, call our manufacturer's help line: 1-609-655-1940.



After all the frames have the draw-pull latches secured in place, and the Starting Tower, Track Legs and Finish Line Tower (page 5) are complete, install the Starting Gate, (page 4). If you decide to have an electric start system, you need a solenoid and an on-and-off switch to operate it. (Grainger Catalog #2X661 Home Laundry Replacement Solenoid Switch from local hardware store).

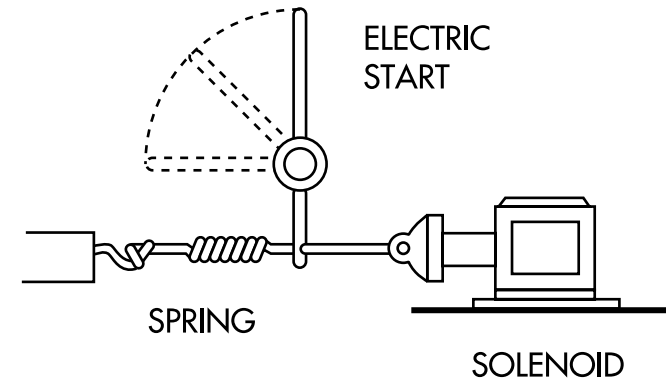
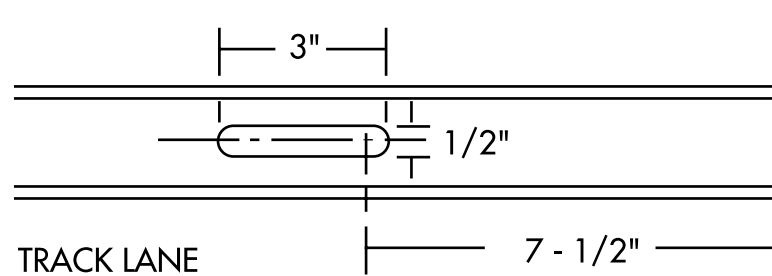
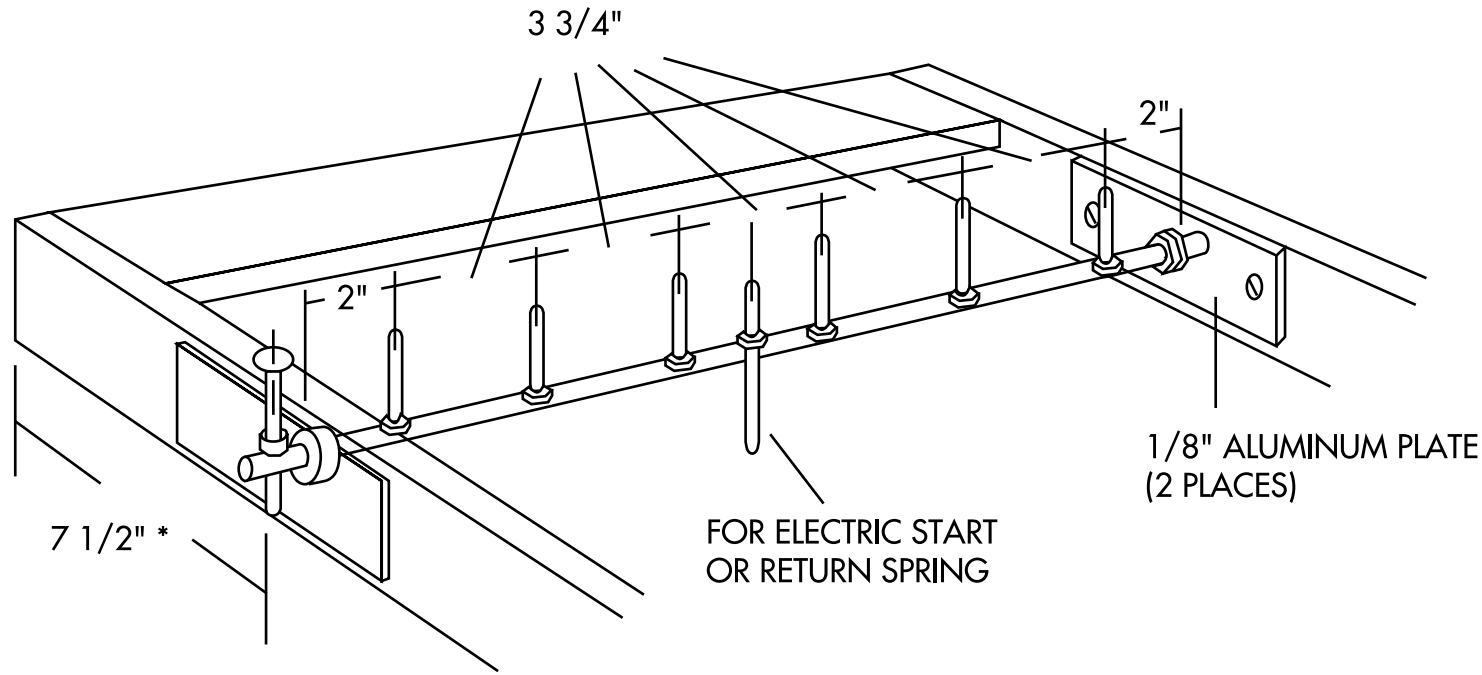
Lay Sections #1 and #2 on the floor, then latch them together with the draw-pulls. Carefully raise the Starting end and temporarily clamp the track frame onto the Starting Tower (page 5). Now clamp the legs in place. Make sure the curved section is parallel to the floor. Then level and square up the track. Drill the 1/4" clearance holes, as shown on page 5. Then install and tighten the 1/4" bolts. Do the same for the Side Legs, (page 5).

If you have an area available, assemble the seven sections of track and inspect them for accuracy.

## NOTES:



## STARTING GATE



### STARTING GATE HARDWARE

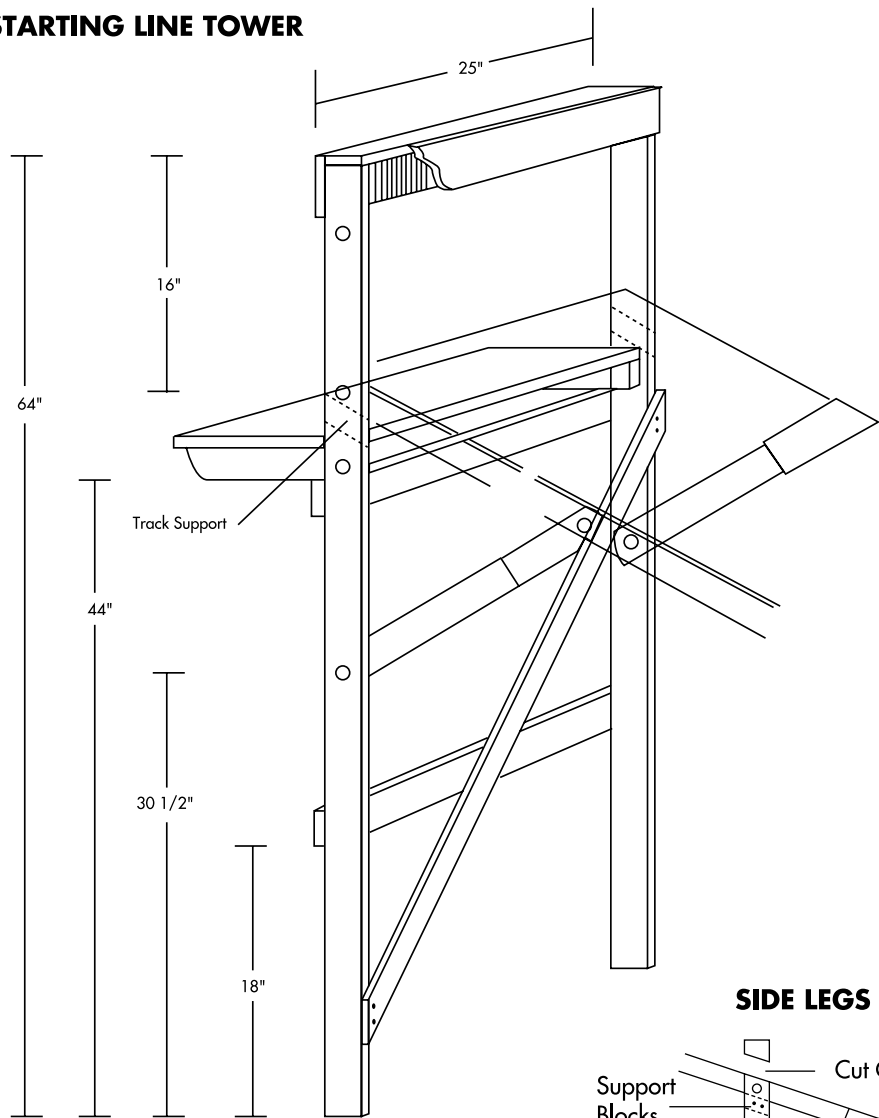
- 1 1/2" Steel Rod 26" long
- 2 1/2" Collars
- 7 10/32 x 3" Bolts
- 7 10/32 Nuts
- 1 1/4" x 20 x 6" Bolt and 2 Nuts for handle
- 2 1/8" x 1 - 1/2" x 4" Aluminum Plates

Heat-shrink tubing can be used over the 10/32 bolts to protect car finish.

\* If you plan to race the "BIG RIG" 18 Wheeler Track Trailer on your track, extend the starting gate from 7 1/2" to 17 1/2".

## NOTES:

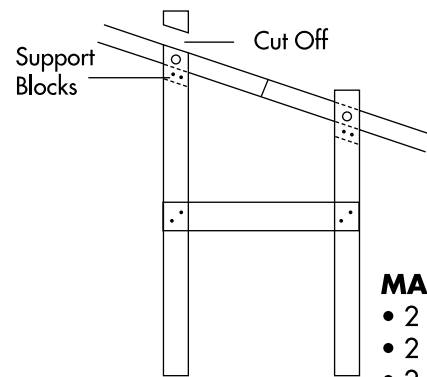
## STARTING LINE TOWER



### MATERIALS FOR STARTING LINE TOWER

- 2 3/4" X 2-7/8" X 64" Sides
- 3 3/4" x 2-7/8" x 25" Cross Braces and Top
- 2 3/4" x 2" x 2-7/8" Track Supports
- 2 3/4" x 1-1/2" x 10" Shelf Supports
- 1 1/4" x 10" x 24" Shelf
- 2 3/4" x 2" x 24" Side Braces
- 2 3/4" x 2" x 8" Side Braces
- 2 1/8" x 3" x 25" Hardboard
- 1 3/4" x 2" x 50" Diagonal Brace
- 1" #16 Nails or Brads
- 1/4 - 20 x 2" Nuts & Bolts
- 24 #8 Dry Wall Screws

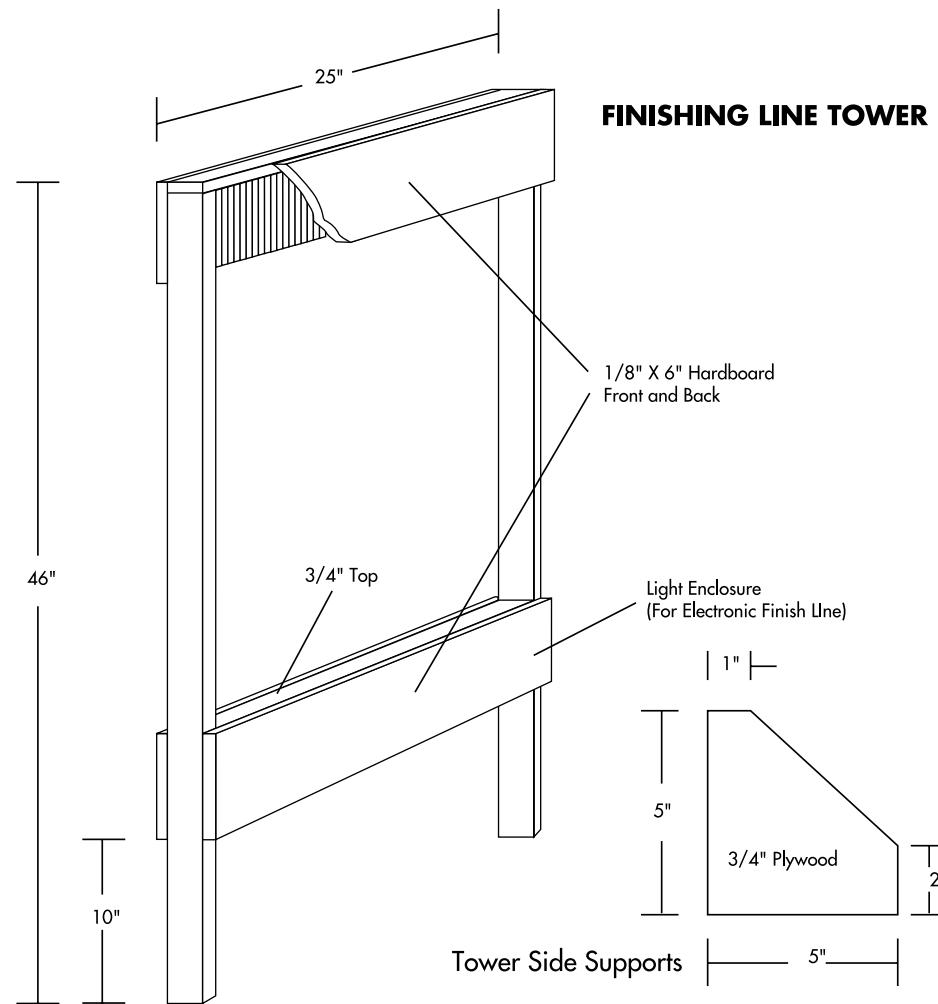
### SIDE LEGS



### MATERIALS FOR SIDE LEGS

- 2 3/4" X 2" X 22" Upright Supports
- 2 3/4" X 2" X 26" Upright Supports
- 2 3/4" X 2" X 20" Cross Braces
- 4 3/4" X 2" X 2" Support Blocks
- 1" #16 Nails or Brads
- 4 1/4 - 20 x 2" Nuts & Bolts
- 16 #8 Dry Wall Screws

## FINISHING LINE TOWER



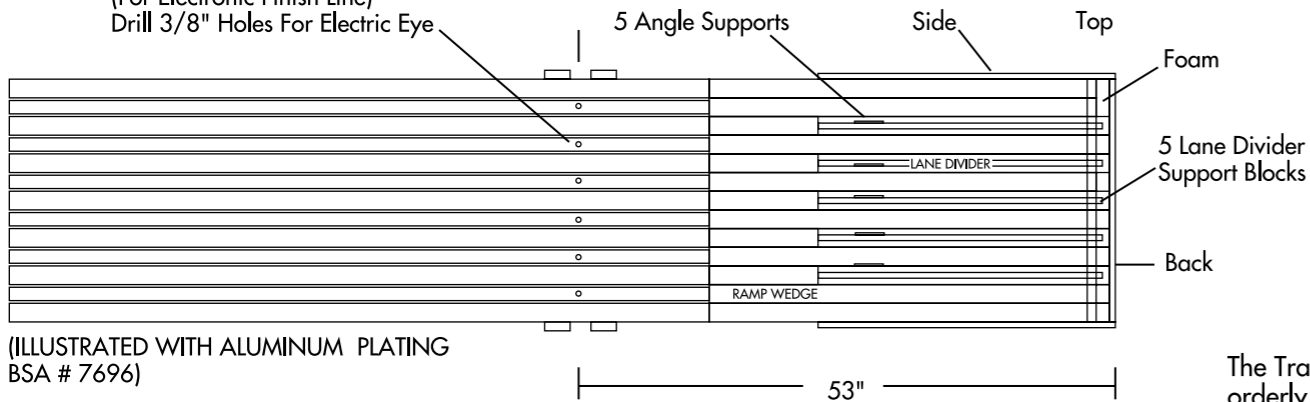
### MATERIALS FOR FINISHING LINE TOWER

- 2 3/4" x 5" x 48" Sides
- 1 3/4" x 5" x 25" Top
- 1 3/4" x 5" x 23-1/2" Top of Light Enclosure
- 8 3/4" x 5" x 5" Tower Side Supports (see drawing)
- 4 1/8" x 6" x 25" Hardboards (see drawing)
- 1" #16 Nails or Brads
- 12 #8 Dry Wall Screws

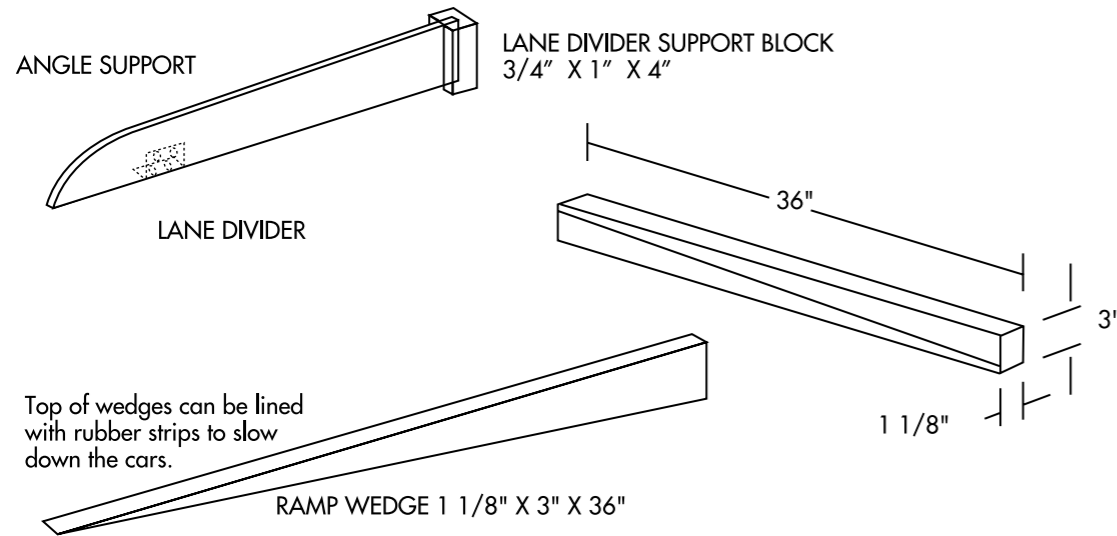
## NOTES:

## FINISH LINE SECTION

(For Electronic Finish Line)  
Drill 3/8" Holes For Electric Eye



(ILLUSTRATED WITH ALUMINUM PLATING  
BSA # 7696)

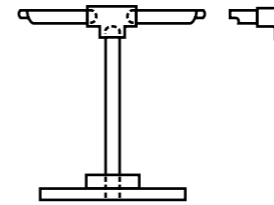


All track frames are 93" long. Starting and Finish Line Towers cross braces lengths must be adjusted to the size track you select. The materials and dimensions below are for a 6-lane track.

- 3 1 -1/8" x 3" x 36" Cut to 6 Wedges (see drawing)
- 5 1/4" x 4" x 36" Plywood Lane Partitions
- 2 1/4" x 6" x 36" Plywood Lane Sides
- 1 1/4" x 6" x 24" Plywood Back
- 1 1/4" x 2" x 24" Top
- 2 3/4" x 1" x 3" End Partition Supports
- 5 1" x 1" x 4" Dado for Divider Supports
- 5 3/4" x 3/4" x 2" Metal Angle Supports

Line the car stalls at the end of the Finish Line with foam to protect the cars. Apply numbers to identify the track lanes.

## TRACK BARRIER ENCLOSURE 10' x 50' - FOR 6 AND 7 SECTION TRACK



The Track Barrier Enclosure is very important for conducting an orderly Pinewood Derby Race. Its construction is optional.

- 23 3/4" x 8" x 8" Plywood Bases
- 23 1 -1/2" x 3" x 3" Center Support with 1 - 1/2" hole in center
- 18 6 ft. 1" PVC Pipe
- 2 5 ft. 1" PVC Pipe
- 2 4 ft. 1" PVC Pipe
- 23 1" PVC T's, 6 1" PVC L's, and 4 1" x 2" Nipples
- 23 20" 1" PVC Pipe

### FINISHED TRACK ASSEMBLY

- 1 - Bolt section #1 to Starting Tower, including the braces.
- 2 - Raise section #1 and bolt Side Legs to it.
- 3 - Align the section #2 (curved section) into section #1. Close the Drawer Pull Latches. Bolt the Side Legs to section #2 and check the rail for alignment. If in doubt, insert the 1/8" pins.
- 4 - Align sections #'s 3-4-5-6-7 in the same manner. Check rail alignment and then close the Drawer Pull Latches.
- 5 - Test all equipment and track alignment by running a few cars. If satisfactory, you are ready to race.

**NOTE:** If you build 2 finish lines into track and are using the Electronic Finish Lines just move the units to the selected finish line.

## NOTES: